



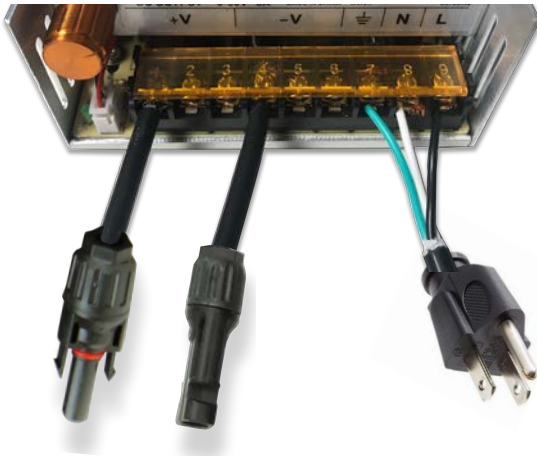
**REMOTE POWER
FOR FARMS,
RANCHES &
HOMESTEADS**



**AC to DC Converter
110T036V, 110T072V**

Overview

* Models vary in appearance



AC Plug
Connect to AC
wall socket or
generator

MC4 Connectors

V+ = Male

V- = Female

PROTECTION

All Converters
and Auto-Switcher units
should be protected from
the elements

Standalone Install Instructions

1. Disconnect Solar Panels

Turn your controller to OFF position. Disconnect your existing solar panels from your controller by disconnecting the two MC4 connectors.

2. Connect DC Converter & Power Up

Plug in MC4 connectors from the converter to the two MC4 connectors on your solar pump controller. Connect the AC Plug on your converter into a wall socket or 110v AC generator.

3. Adjust Speed & Power On

36v and 72V converters are set to a fixed voltage. The speed dial on the inside of your solar pump controller to reduce the speed of your pump if desired. You can now turn your solar pump controller to the SOLAR position and start pumping!

Auto-Switching Instructions

1. Disconnect Solar Panels

Turn your controller to OFF position. Disconnect your existing solar panels from your pump controller by disconnecting the two MC4 connectors.

2. Connect Auto-Switcher

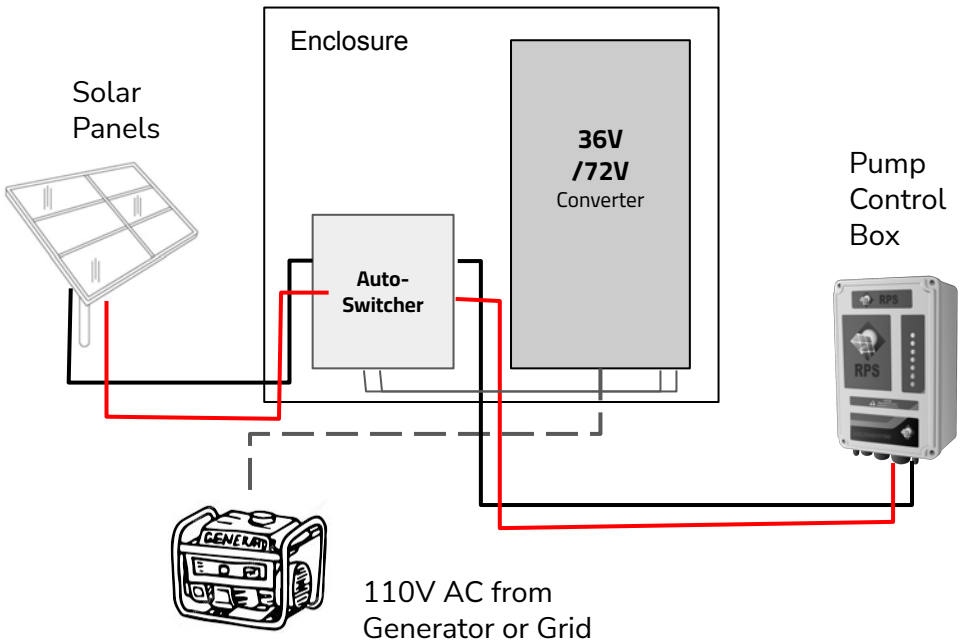
- Knockout at least one opening in base of enclosure to pass wires safely through. Add conduit or glands to knockouts as desired.
- Plug in the two MC4 connector wires from the left side of the small 'Auto-Switcher' box to the MC4 wires from your solar panels
- Connect the MC4 connectors from the right side of the small 'Auto-Switcher' box to the small length of solar wire included. This will come out of the enclosure to your controller.

3. Connect DC Converter & Power Up

Connect the AC Plug on your converter into a wall socket or 110v AC generator. You'll hear the converter power up.

4. Adjust Speed & Power On

36v and 72V converters are set to a fixed voltage. The speed dial on the inside of your solar pump controller to reduce the speed of your pump if desired. You can now turn your solar pump controller to the SOLAR position and start pumping. The Auto-Switcher will prioritize solar whenever available.





**REMOTE POWER
FOR FARMS,
RANCHES &
HOMESTEADS**