



TECHNICAL BROCHURE
Y202-T400-800 RPS2



RPS T400, T800

RPS | Rural Power Systems
40250 County Road 27
Woodland, Ca 95776

Visit us online at
RPSsolarpumps.com

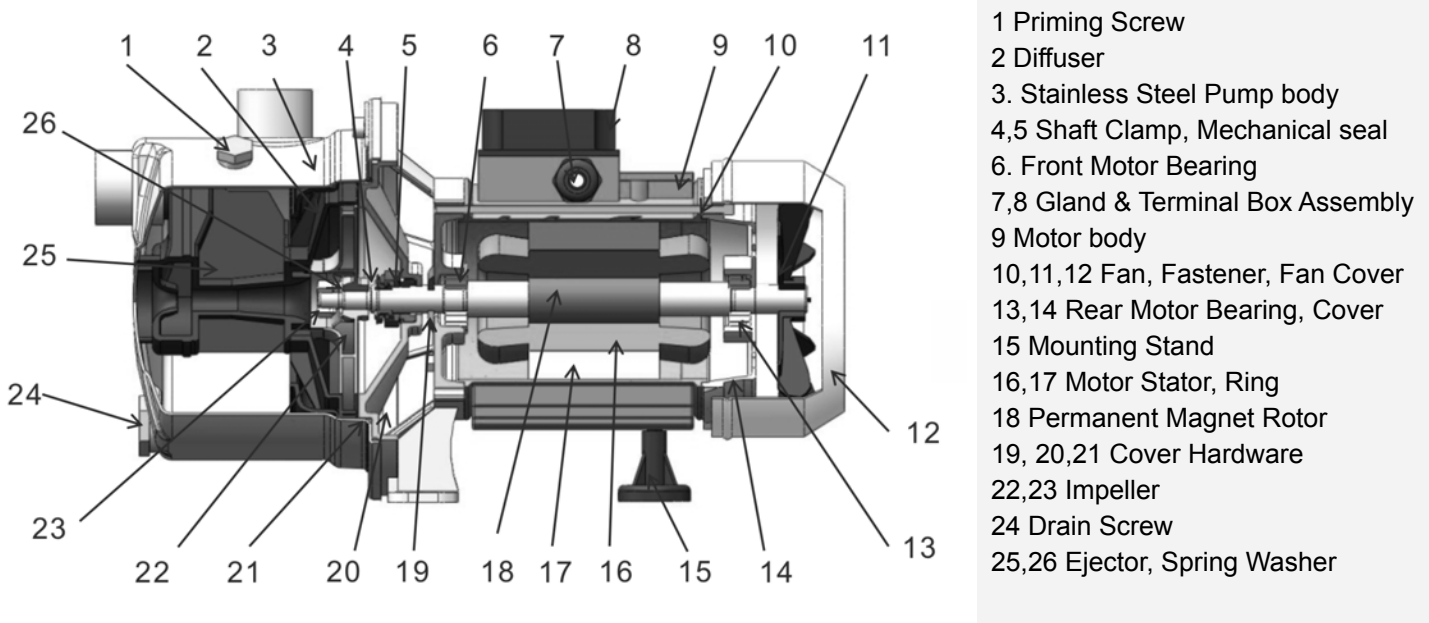
888-637-4493



SPECIFICATIONS

Inlet	1" FNPT	Power Range	400 - 1200w (Solar)
Outlet	1" FNPT	Suction	Up to 4M, 15ft (wetted)
Acceptable pH	5 - 8, Water (No Fuel)	Max Current	11.6 Amps DC
Temp. Range	0 - 40°C, 32 - 104°F	Weight	10kg, 22lbs

MOTOR & PUMP ASSEMBLY

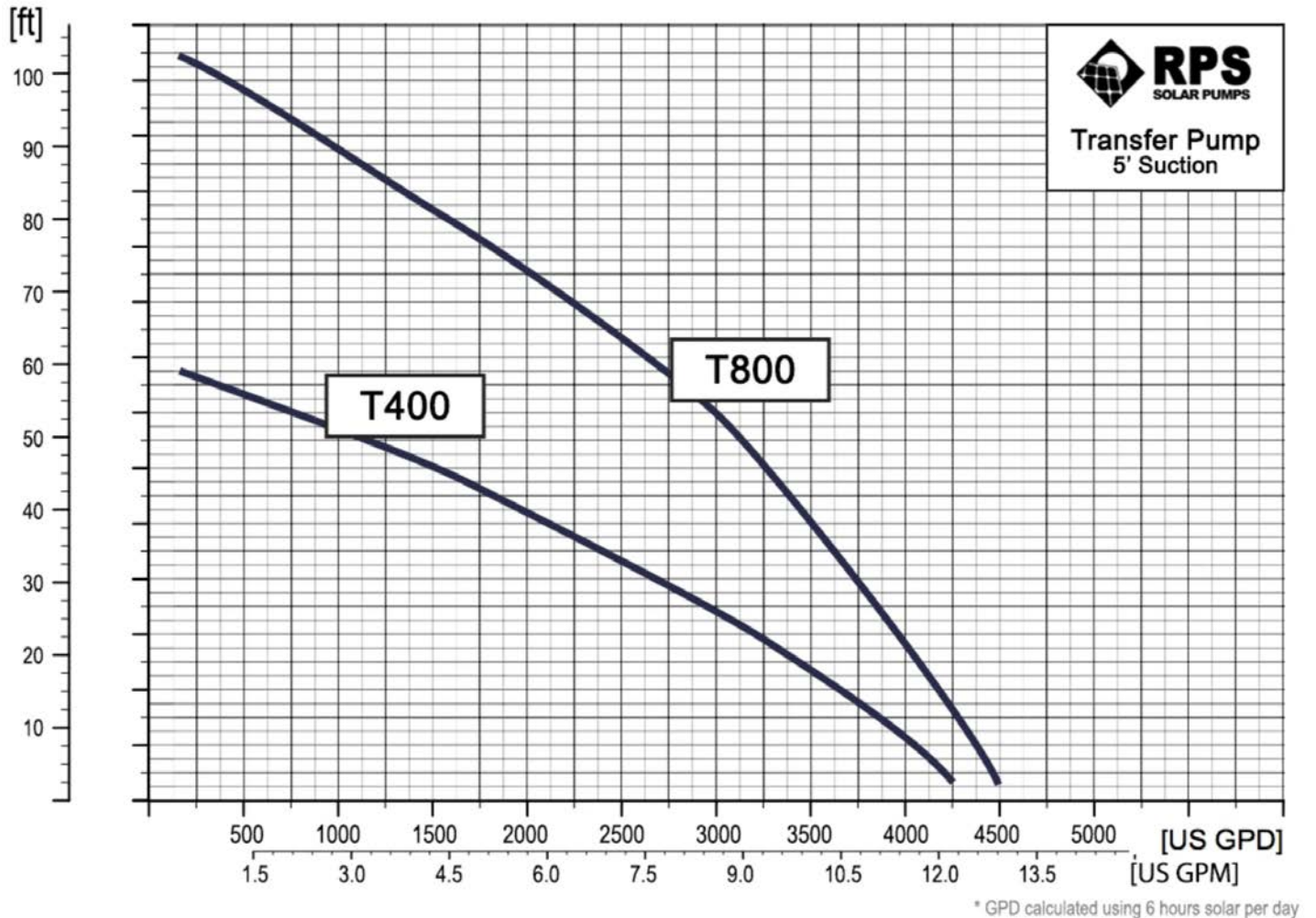


SYSTEMS WITH SOLAR ARRAY & CONTROLLER

	400 Watts (4x100w, 72Vmp) 1 String of 4 Panels	800 Watts (8x100w, 72Vmp) 2 Strings of 4 Panels
T500-2102018RPS With RPS100VMPPT Controller	RPS T400	RPS T800

See chart on following page for performance of each System (Pump, Controller, Solar Panels)

SYSTEM PERFORMANCE CURVES



RPS Controllers

- Multiple Sensor Inputs
- Low / High Tank Sensors
- Variable Frequency Control
- Cycling Protection Timer
- Exterior Shut-off Switch

RPS Motors

- Slow Start/Stop
- Brushless Motor Tech.
- Permanent Magnet
- Efficiency
- Rated for Continuous Operation

RPS Pump Ends

- Serviceable in the Field
- Centrifugal Pump End Technology
- Stainless Steel Body

Solar Panels

- UL1703 Certified
- Per Intertek ETL
- Nationally Recognized to Hail, Wind Requirements
- IEC 612512 / IEC 61646
- Comply fully with NRCS

Pledge to Our Customers: We pledge to be a company our grandfathers would have trusted. The all-too-common practice of outsourcing customer support after the sale is one we wholeheartedly oppose. We are an American, family-run company and our USA engineers, who will support you before and after the sale, are the best in the industry. We gain most of our business from word-of-mouth as a result of treating customers with respect and standing by our products. Call us anytime.