



**+TECHNICAL BROCHURE**  
Y18-200-400-800 RPS2



---

# RPS 200, 400, 800

# RPS 400V, 800V

---

RPS | Rural Power Systems  
40250 County Road 27  
Woodland, Ca 95776

*Visit us online at*  
[RPSsolarpumps.com](http://RPSsolarpumps.com)

888-637-4493

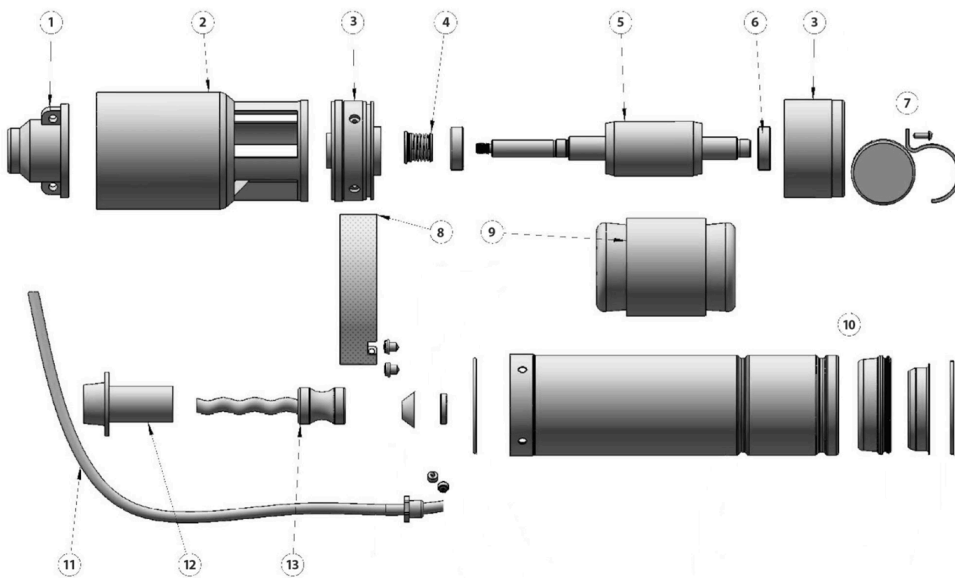


# SPECIFICATIONS

Pump Model	Pump Type	Motor Range (watts)	Array Range (watts)	Array Voltage	Discharge Connection	Pump Diameter	Minimum Well Size
H3-2102020RPS	Helical	120-418	200-600	36/54Vmp	3/4" FNPT	3"	3.5" ID
H3-5002020RPS	Helical	220-835	400-1200	54/72Vmp	3/4" FNPT	3"	3.5" ID
C3-5002020RPS	Centrifugal	280-835	400-1200	72Vmp	1" FNPT	3"	3.5" ID

Motor Rotation is counterclockwise when observed from pump discharge end

## MOTOR & HELICAL PUMP ASSEMBLY



1. Pump outlet (with 3/4" female NPT pipe thread and holes for safety rope)
2. Pump end barrel
3. Bearing seats
4. Mechanical seal
5. Brushless motor rotor
6. Motor bearing
7. Cap assembly
8. Intake filter screen
9. Brushless motor stator
10. Motor end barrel, cap assembly
11. Pump wire (12 gauge, 3 strand)
12. Pumping mechanism/helical screw, female stator end (field serviceable)
13. Pumping mechanism/helical screw, male rotor end (field serviceable)

The C3 Centrifugal Pump End is pictured below (same motor)

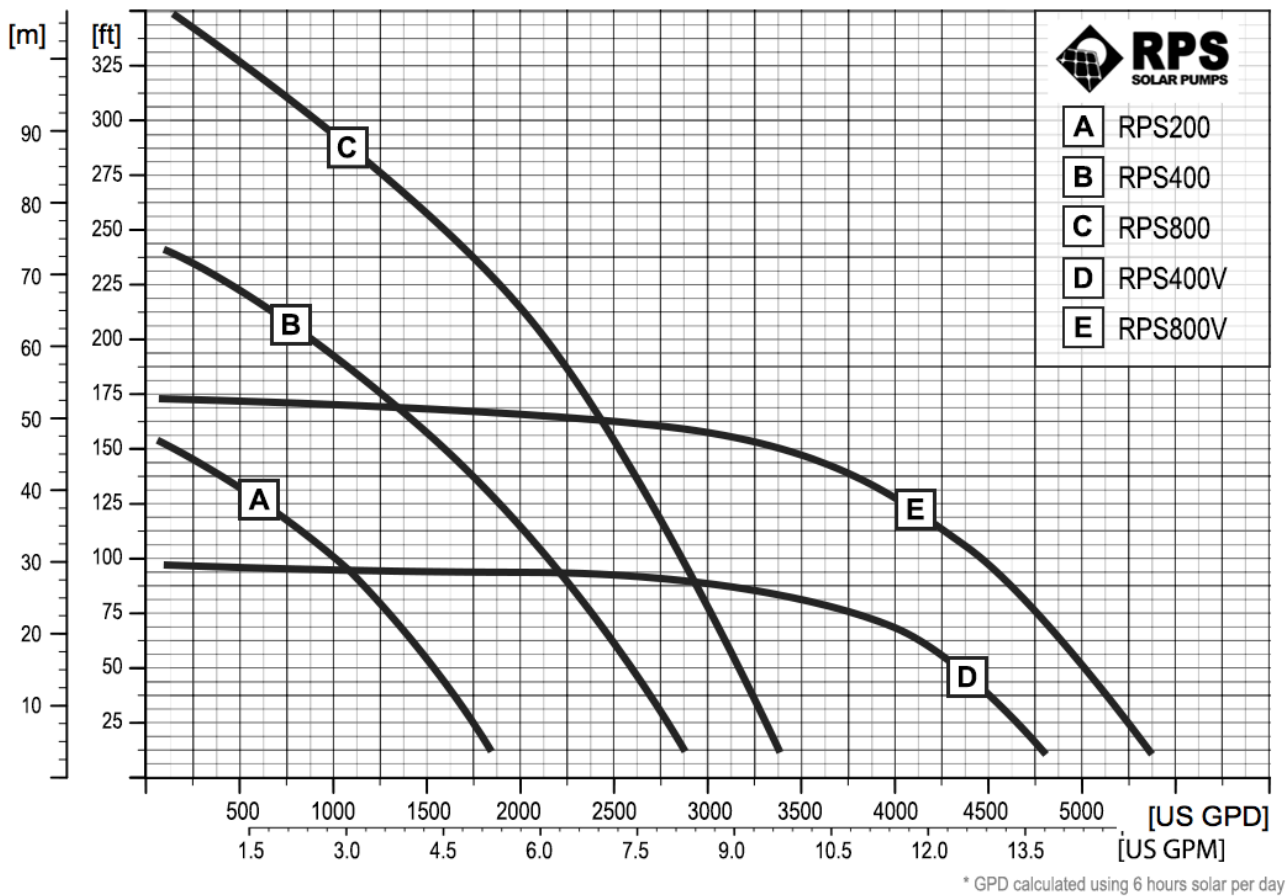


## SYSTEMS WITH SOLAR ARRAY & CONTROLLER

	200 Watts (2x100w, 36Vmp)	400 Watts (4x100w, 72Vmp)	600 Watts (6x100w, 54Vmp)	800 Watts (8x100w, 72Vmp)
H3-2102018RPS	<b>RPS 200 (1/4 hp)</b>	<b>RPS 400 (1/2 hp)</b>		
H3-5002018RPS			<b>RPS 600 (3/4 hp)</b>	<b>RPS 800 (1 hp)</b>
C3-5002018RPS		<b>RPS 400V (1/2 hp)</b>		<b>RPS 800V (1hp)</b>

See chart on following page for performance of each System (Pump, Controller, Solar Panels)

# SYSTEM PERFORMANCE CURVES



## RPS Controllers

- Multiple Sensor Inputs
- Tank & Well Low sensors
- Variable Frequency Control
- Cycling Protection Timer
- Exterior Shut-off Switch

## RPS Motors

- Slow Start/Stop
- Brushless Motor Tech.
- Permanent Magnet Efficiency
- Rated for Continuous Operation
- ISO 9001:2015

## RPS Pump Ends

- Serviceable in the Field
- Helical & Centrifugal Technology
- Lifetime Rotor Warranty
- Stainless Steel Body

## Solar Panels

- UL1703 Certified
- Per Intertek ETL
- Nationally Recognized to Hail, Wind Requirements
- IEC 612512 / IEC 61646
- Comply fully with NRCS

**Pledge to Our Customers:** We pledge to be a company our grandfathers would have trusted. The all-too-common practice of outsourcing customer support after the sale is one we wholeheartedly oppose. We are an American, family-run company and our USA engineers, who will support you before and after the sale, are the best in the industry. We gain most of our business from word-of-mouth as a result of treating customers with respect and standing by our products. Call us anytime.